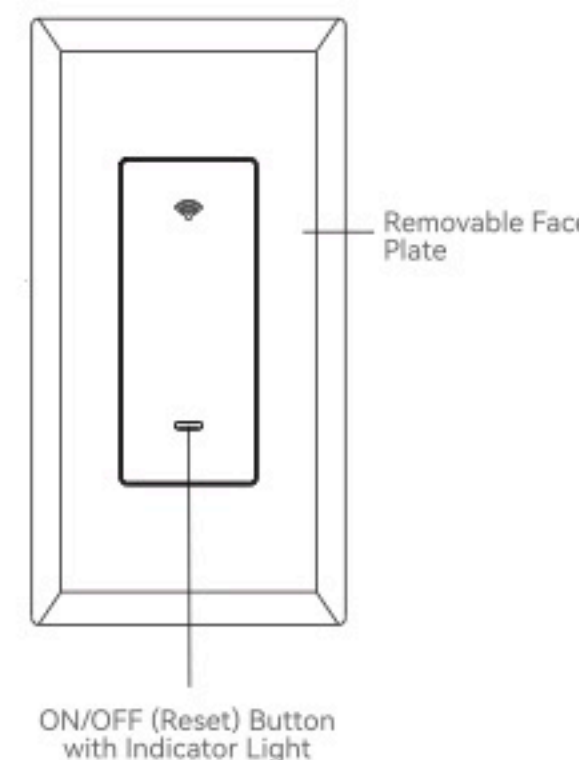




SW5  
Smart Switch Instruction

### Product Overview



Since the device only supports 2.4G Wi-Fi connection, please ensure that the mobile phone and the device are connected to 2.4G Wi-Fi simultaneously

### Parameters

Model: SW5  
Input: 120V~ 50/60Hz 15A  
Output: 120V~ 50/60Hz 15A MAX Resistive  
Wi-Fi: 802.11 b/g/n, 2.4GHz(only)  
Operating Temp.: -20°C~40°C(-4°F~104°F)  
Operating Control Type 1  
Pollution Degree: 2  
MAX Power: 1800W

### Installation Guide

#### 1 Download the App

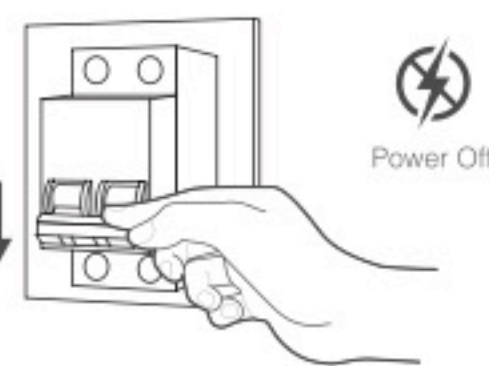
**Option 1:** Search for "Smart Life" in the App Store (iOS) or Google Play (Android).



**Option 2:** Scan the QR code to enter the download page.

Ensure your phone runs iOS 11+ or Android 6.0+ for a smooth connection.

#### 2

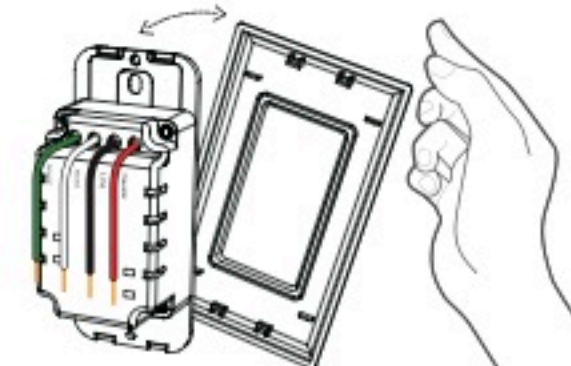


#### 3

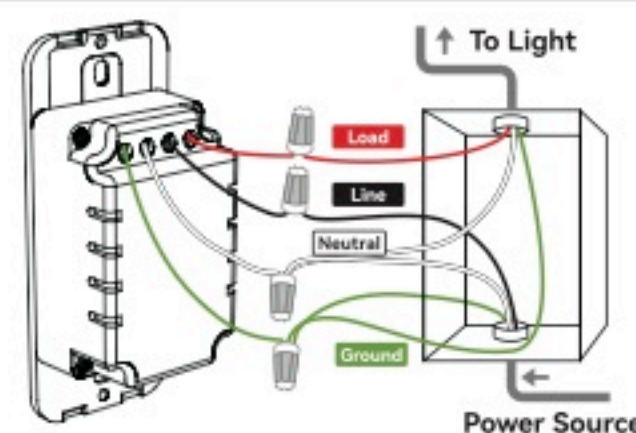
Screw Size  
PM3.5\*27.5mm  
Silver Screws × 2



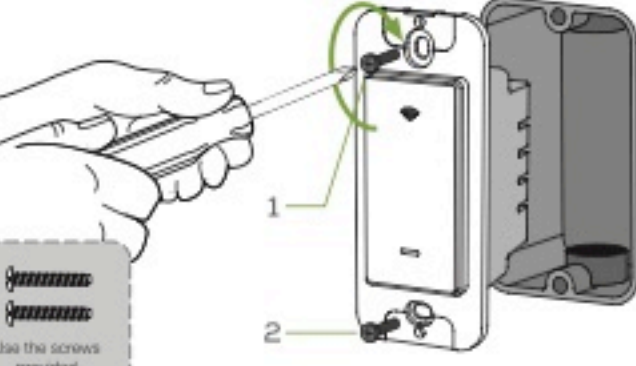
#### 4



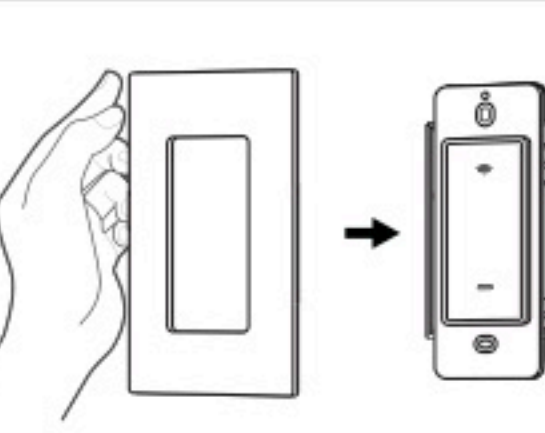
#### 5



#### 6



#### 7



#### 8



#### 9 Connect the Device to Smart Life App

- Ensure your phone is connected to a 2.4 GHz Wi-Fi network (supports 2.4 GHz only) and that Bluetooth is turned on.
- Ensure that the Smart Life App is installed and you are logged in.
- Press and hold the ON/OFF button for 5 seconds until the indicator light starts blinking to enter the network pairing mode.

#### Scan to Pair

1. Open the App, tap "+" and select "Scan" in the top right corner to scan the QR code.
2. Ensure the mode is "Bluetooth" in the top right corner.
3. Confirm the indicator is blinking slowly, then tap "Next".



### Additional App Connection Methods

- Ensure your phone is connected to a 2.4 GHz Wi-Fi network (supports 2.4 GHz only) and that Bluetooth is turned on.
- Ensure the GHome App is installed and you are logged in.
- Press and hold the ON/OFF button for 5 seconds until the indicator light starts blinking.

1. Open the App, tap "+" in the top right corner, and select "Add Device".

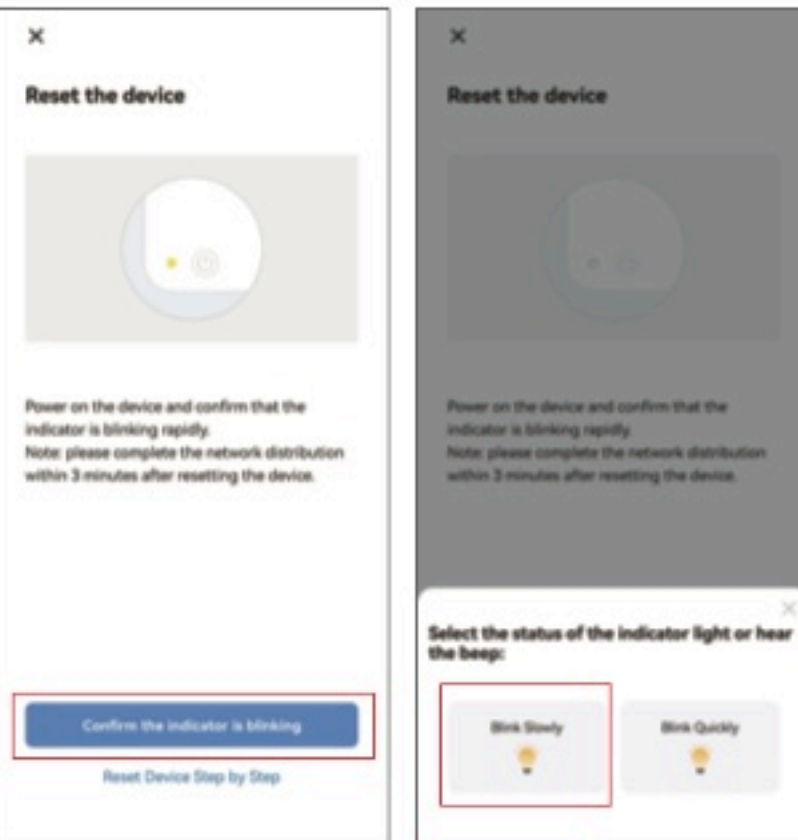
2. You can add a device in two ways:

- 1) **Automatic Pairing (Recommended)**  
1. The device will be automatically discovered by the App.
2. Tap the device, enter your 2.4G Wi-Fi name and password, then tap "Next".
3. Once the device is added successfully, tap "Done".

### 2) Manual Pairing (AP Mode)

Use this method if Bluetooth pairing fails to discover the device:

1. On the "Add Device" page, scroll down to "Add Manually" and scroll down in Electrical, find "Switch," and select "Switch (Wi-Fi)".
2. Select 2.4 GHz Wi-Fi Network and enter password.
3. Confirm the indicator is blinking slowly, tap "Confirm indicator is blinking", then select "Blink Slowly".
4. Connect your phone to the device hotspot "SmartLife-XXXXX".
5. Return to the SmartLife App interface, it will automatically connect to the router, completing the configuration.



### Connect to Amazon Alexa or Google Assistant

Scan QR codes below to access the connection guide and video.

### Reset

Turn on the power, then press and hold the Reset (ON/OFF) button for at least 5 seconds until the indicator light starts blinking slowly.  
Note: When your switch is moved to a new network, please reset it and reconnect to the new network.

### Warnings and Precautions

- Keep it out of the reach of children and pets.
- Do not use this product in humid environments or outdoors. It's for indoor use only.
- Do not place this product near heating device, such as microwave ovens, stoves, or radiators.
- Protect the product from extreme temperatures, direct sunlight, strong jolts, high humidity, moisture, flammable gases, vapors and solvents.
- Do not disassemble, modify, or repair the device yourself, and ask help from the authorized professionals for device malfunction.
- Do not use the device if it is no longer working properly or visibly damaged.
- Do not store the device for extended periods in poor ambient conditions.

- Never use aggressive detergents such as rubbing alcohol or other chemical solutions because these could damage the casing or even impair the functioning of the product.

Note: The image shown in the manual is indicative only. If there is inconsistency between the image and the actual product, the actual product shall govern.

NOTE: This equipment has been tested and found to comply with the limits for a Class B digital device, pursuant to part 15 of the FCC Rules. These limits are designed to provide reasonable protection against harmful interference in a residential installation. This equipment generates, uses and can radiate radio frequency energy and, if not installed and used in accordance with the instructions, may cause harmful interference to radio communications. However, there is no guarantee that interference will not occur in a particular installation. If this equipment does cause harmful interference to radio or television

reception, which can be determined by turning the equipment off and on, the user is encouraged to try to correct the interference by one or more of the following measures:

- Reorient or relocate the receiving antenna.
- Increase the separation between the equipment and receiver.
- Connect the equipment into an outlet on a circuit different from that to which the receiver is connected.
- Consult the dealer or an experienced radio/TV technician for help

Changes or modifications not expressly approved by the party responsible for compliance could void the user's authority to operate the equipment.

This device complies with Part 15 of the FCC Rules.

Operation is subject to the following two conditions:

- (1) this device may not cause harmful interference, and
- (2) this device must accept any interference received, including interference that may cause undesired operation.

RF Exposure Warning Statements:

This equipment complies with FCC radiation exposure limits set forth for an uncontrolled environment. This equipment shall be installed and operated with minimum distance 20cm between the radiator & body.

